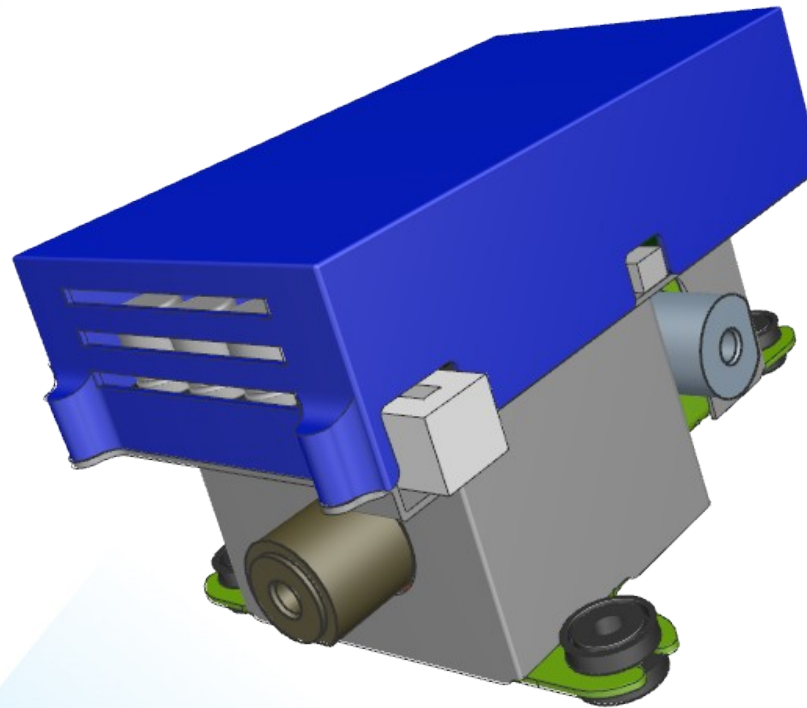


Magnetic Dosing Pump

MDP



Your benefits:

- ✓ Precise dosing
- ✓ High pressure
- ✓ Non-corrosive
- ✓ Highly adaptable software

Curious? Please contact us:

E-Mail: info@supart.com
Phone: +49 7151 / 82036 - 10

Supart GmbH, Liststraße 8, 71336 Waiblingen



SUPART
INGENIEURE

The inner values.

Pre-feed pump

- Overplus feed
- Pressure down to -0.6 bar (-8.7 psi)

Separation of gas phase

High pressure fittings

Return fitting

High pressure pump

- Volume flow up to 5 liters / h
- Pressure up to 120 bar (1740 psi)
- Typical: 3.5 liters / h at 60 bar (870 psi)

Operating modes of the High pressure pump:

Smart pendulum mode:

Best for high volume flow and pressure control

End-stop-mode:

Best for precise micro dosing
5 µl / stroke

Curious? Please contact us:

E-Mail: info@supart.com
Phone: +49 7151 / 82036 - 10

Supart GmbH, Liststraße 8, 71336 Waiblingen

SUPART
INGENIEURE

- **Dimensions (LxWxH):**
207.5 x 152.1 x 118.5 mm
- **Electrical supply:**
AC 230 V
- **Power consumption:**
90 W max
- **Smoothly regulated pressure and volume flow**
- **Gentle sound emissions**
< 55 dB(A)

The outer values.

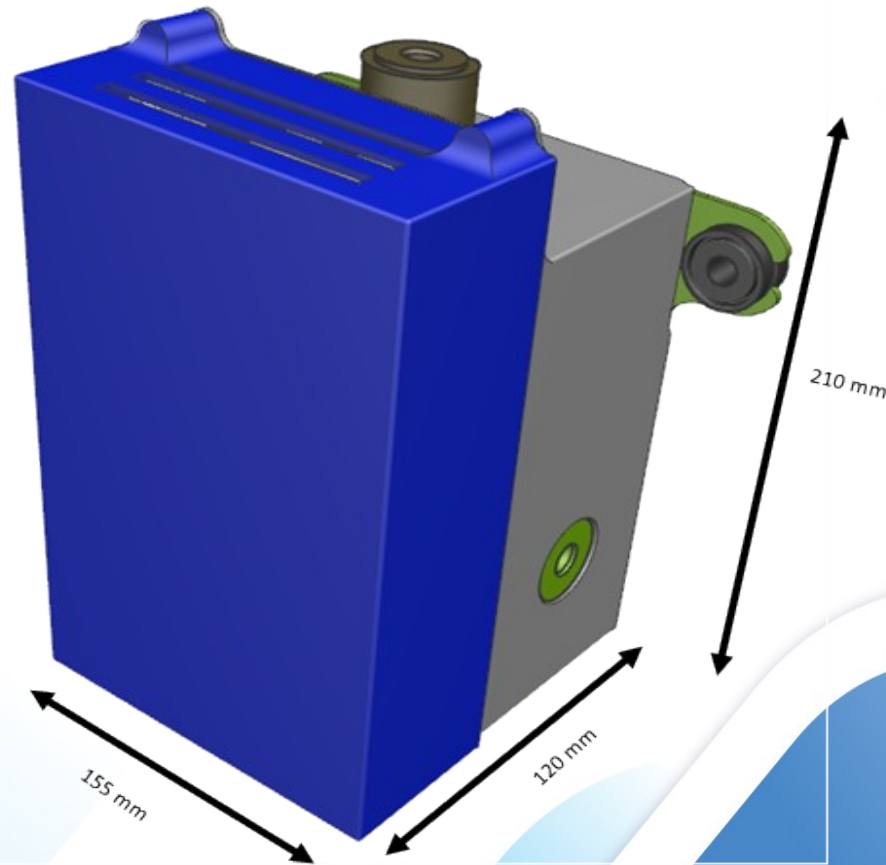
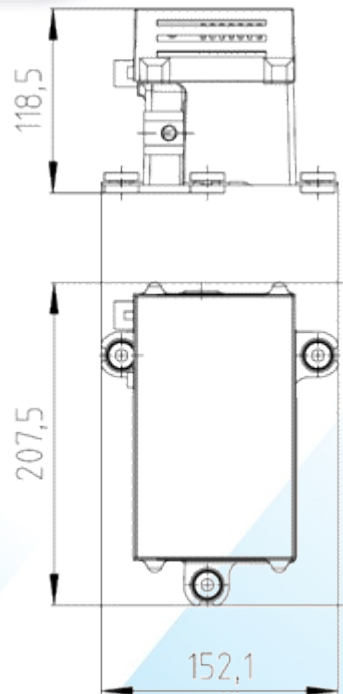


illustration similar

illustration similar

Curious? Please contact us:

E-Mail: info@supart.com
Phone: +49 7151 / 82036 - 10

Supart GmbH, Liststraße 8, 71336 Waiblingen

SUPART
INGENIEURE

Soft facts.

Power connector

Powerful
STM32-microcontroller

Power electronics
with
current monitoring

Interface for requests
and feedback
(galv. insulated)

Interfaces for
• temperature sensing
• pressure sensing
• RS485 (Modbus RTU)

User interaction
• 2x switch
• 2x LED
• 2x potentiometer

Our self-developed control software can be adjusted for your special needs:

Available modules:

- PID pressure control
- Precise dosing in single-stroke operational mode
- Counter-pressure compensated volume flow
- Interface for Modbus
- Ready to use for temperature- and pressure sensing
- Optional simple user interface

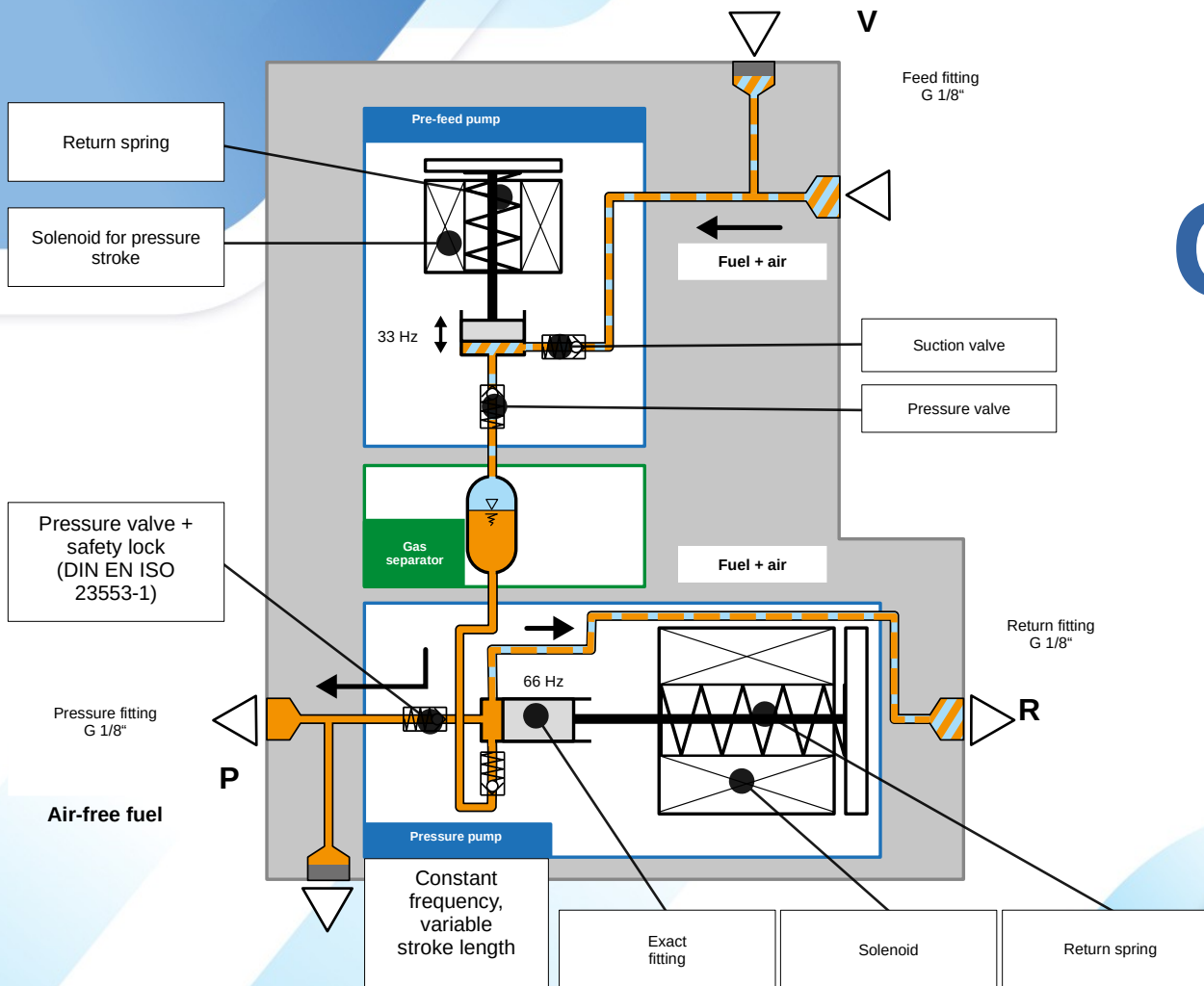
Curious? Please contact us:

E-Mail: info@supart.com
Phone: +49 7151 / 82036 - 10

Supart GmbH, Liststraße 8, 71336 Waiblingen

SUPART
INGENIEURE

Application: Pump for Oil-burners.



Curious? Please contact us:

E-Mail: info@supart.com
Phone: +49 7151 / 82036 - 10

Supart GmbH, Liststraße 8, 71336 Waiblingen

SUPART
INGENIEURE